

**Immersion / screw-in / duct temperature sensor
with passive output**

Patented quality product (Immersion sensor patent no. DE 10 2012 017 500.0)

THERMASGARD® TF 43 is a resistance thermometer with passive output, enclosure made of impact-resistant plastic, enclosure cover with snap-on lid, and straight protective tube.

THERMASGARD® TF 65 is a resistance thermometer with passive output, enclosure made of impact-resistant plastic, enclosure cover with quick-locking screws, and straight protective tube.

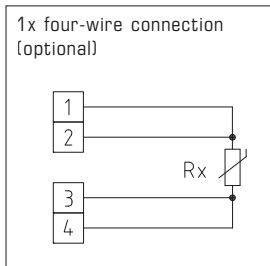
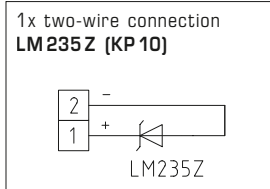
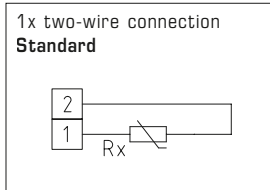
These built-in temperature sensors / immersion temperature sensors are electric contact thermometers for temperature measurement in liquids and gases, which are installed for example in piping systems and vessels. For aggressive media, stainless steel immersion sleeves must be used. Applications of these temperature sensors in piping systems, in heating technology, in storage tanks, in district heating compact stations, in hot and cold-water systems, in oil and lubricant circulation systems, in mechanical, apparatus and plant engineering as well as in the entire industrial sector.

TECHNICAL DATA

Measuring range:	-30...+150 °C (T _{max} NTC = +150 °C, T _{max} LM235Z = +125 °C)
Sensors / output:	see table, passive (Perfect Sensor Protection) (other sensors optional)
Connection type:	2-wire connection (4-wire connection optional)
Testing current:	approx. 1 mA
Protective tube:	stainless steel, 1.4571, V 4A, Ø = 6 mm, inserted length (EL) = 50 - 400 mm (see table)
Enclosure:	plastic, material polyamide, 30 % glass-globe-reinforced, colour pure traffic white (similar RAL 9016), TF 43 with snap-on lid, TF 65 with quick-locking screws (slotted / Phillips head combination),
Ambient temperature:	-20...+100 °C
Enclosure dimensions:	72 x 64 x 37.8 mm (Tyr 1 / Tyr 01)
Cable gland:	M 16 x 1.5; including strain relief, exchangeable, max. inner diameter 10.4 mm
Electrical connection:	0.14 - 1.5 mm ² , via terminal screws on circuit board
Insulating resistance:	≥ 100 MΩ, at +20 °C (500 V DC)
Permissible humidity:	< 95 % r. H., non-precipitating air
Protection class:	III (according to EN 60 730)
Protection type:	TF 43 IP 43 (according to EN 60 529) TF 65 IP 65 (according to EN 60 529)

ACCESSORIES

MF-15-K	Mounting flange, plastic, 56.8 x 84.3 mm, Ø = 15.0 mm tube gland, T _{max} = +150 °C
TH08-ms/xx	Brass immersion sleeve, Ø = 8 mm, T _{max} = +150 °C, p _{max} = 10 bar
TH08-VA/xx	Stainless steel immersion sleeve, Ø = 8 mm, T _{max} = +600 °C, p _{max} = 40 bar
TH08-VA/xx/90	Stainless steel immersion sleeve with neck tube (90 mm), Ø = 8 mm, T _{max} = +600 °C, p _{max} = 40 bar



High-performance encapsulation against
vibration, mechanical stress and humidity

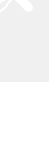
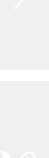
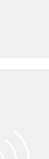
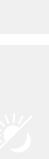




S+S REGELTECHNIK

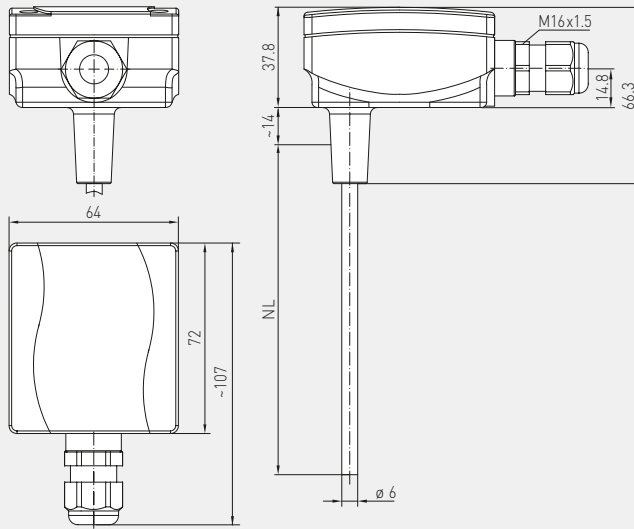
THERMASGARD® TF 43
THERMASGARD® TF 65

Immersion / screw-in / duct temperature sensor
with passive output



Dimensional drawing

TF43

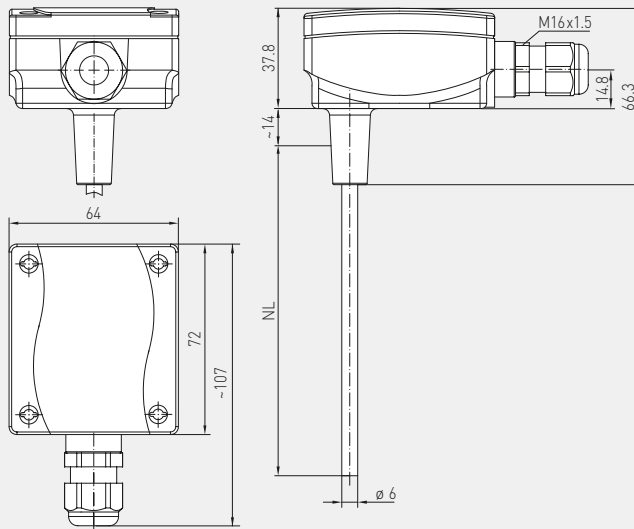


TF43
with snap-on lid
(IP43)



Dimensional drawing

TF65



TF65
with quick-locking screws
(IP65)



PATENTED



TFxx
Basic device
with accessories

THERMASGARD® TF 65 – Temperature sensors (Basic device with quick-locking screws), *Premium*

Type / WG03 / EL	Sensor / Output	Item No.	Price
TF65 PT100 xx	Pt100	IP65	
TF65 PT100 50MM	Pt100 (according to DIN EN 60 751, class B)	1101-7020-1013-000	29,53 €
TF65 PT100 100MM	Pt100 (according to DIN EN 60 751, class B)	1101-7020-1023-000	29,96 €
TF65 PT100 150MM	Pt100 (according to DIN EN 60 751, class B)	1101-7020-1033-000	30,82 €
TF65 PT100 200MM	Pt100 (according to DIN EN 60 751, class B)	1101-7020-1043-000	31,74 €
TF65 PT100 250MM	Pt100 (according to DIN EN 60 751, class B)	1101-7020-1053-000	32,49 €
TF65 PT100 300MM	Pt100 (according to DIN EN 60 751, class B)	1101-7020-1063-000	33,19 €
TF65 PT100 350MM	Pt100 (according to DIN EN 60 751, class B)	1101-7020-1073-000	33,83 €
TF65 PT100 400MM	Pt100 (according to DIN EN 60 751, class B)	1101-7020-1083-000	35,28 €
TF65 PT1000 xx	Pt1000	IP65	
TF65 PT1000 50MM	Pt1000 (according to DIN EN 60 751, class B)	1101-7020-5011-000	29,53 €
TF65 PT1000 100MM	Pt1000 (according to DIN EN 60 751, class B)	1101-7020-5021-000	29,96 €
TF65 PT1000 150MM	Pt1000 (according to DIN EN 60 751, class B)	1101-7020-5031-000	30,82 €
TF65 PT1000 200MM	Pt1000 (according to DIN EN 60 751, class B)	1101-7020-5041-000	31,74 €
TF65 PT1000 250MM	Pt1000 (according to DIN EN 60 751, class B)	1101-7020-5051-000	32,49 €
TF65 PT1000 300MM	Pt1000 (according to DIN EN 60 751, class B)	1101-7020-5061-000	33,19 €
TF65 PT1000 350MM	Pt1000 (according to DIN EN 60 751, class B)	1101-7020-5071-000	33,83 €
TF65 PT1000 400MM	Pt1000 (according to DIN EN 60 751, class B)	1101-7020-5081-000	35,28 €
TF65 PT1000A xx	Pt1000A	IP65	
TF65 PT1000A 50MM	Pt1000 (according to VDI/VDE 3512, class A-TGA)	1101-7020-6013-000	35,74 €
TF65 PT1000A 100MM	Pt1000 (according to VDI/VDE 3512, class A-TGA)	1101-7020-6023-000	36,31 €
TF65 PT1000A 150MM	Pt1000 (according to VDI/VDE 3512, class A-TGA)	1101-7020-6033-000	37,02 €
TF65 PT1000A 200MM	Pt1000 (according to VDI/VDE 3512, class A-TGA)	1101-7020-6043-000	37,94 €
TF65 PT1000A 250MM	Pt1000 (according to VDI/VDE 3512, class A-TGA)	1101-7020-6053-000	38,69 €
TF65 PT1000A 300MM	Pt1000 (according to VDI/VDE 3512, class A-TGA)	1101-7020-6063-000	38,93 €
TF65 PT1000A 350MM	Pt1000 (according to VDI/VDE 3512, class A-TGA)	1101-7020-6073-000	40,03 €
TF65 PT1000A 400MM	Pt1000 (according to VDI/VDE 3512, class A-TGA)	1101-7020-6083-000	41,48 €
TF65 Ni1000 xx	Ni 1000	IP65	
TF65 Ni1000 50MM	Ni1000 (according to DIN EN 43 760, class B, TCR = 6180 ppm / K)	1101-7020-9011-000	31,84 €
TF65 Ni1000 100MM	Ni1000 (according to DIN EN 43 760, class B, TCR = 6180 ppm / K)	1101-7020-9021-000	32,49 €
TF65 Ni1000 150MM	Ni1000 (according to DIN EN 43 760, class B, TCR = 6180 ppm / K)	1101-7020-9031-000	32,81 €
TF65 Ni1000 200MM	Ni1000 (according to DIN EN 43 760, class B, TCR = 6180 ppm / K)	1101-7020-9041-000	32,91 €
TF65 Ni1000 250MM	Ni1000 (according to DIN EN 43 760, class B, TCR = 6180 ppm / K)	1101-7020-9051-000	33,83 €
TF65 Ni1000 300MM	Ni1000 (according to DIN EN 43 760, class B, TCR = 6180 ppm / K)	1101-7020-9061-000	34,63 €
TF65 Ni1000 350MM	Ni1000 (according to DIN EN 43 760, class B, TCR = 6180 ppm / K)	1101-7020-9071-000	36,08 €
TF65 Ni1000 400MM	Ni1000 (according to DIN EN 43 760, class B, TCR = 6180 ppm / K)	1101-7020-9081-000	37,32 €
TF65 Ni1000TK xx	Ni1000 TK5000	IP65	
TF65 Ni1000TK 50MM	Ni1000 TK5000 (TCR = 5000 ppm / K), LG- Ni1000	1101-7021-0011-000	31,94 €
TF65 Ni1000TK 100MM	Ni1000 TK5000 (TCR = 5000 ppm / K), LG- Ni1000	1101-7021-0021-000	32,59 €
TF65 Ni1000TK 150MM	Ni1000 TK5000 (TCR = 5000 ppm / K), LG- Ni1000	1101-7021-0031-000	32,91 €
TF65 Ni1000TK 200MM	Ni1000 TK5000 (TCR = 5000 ppm / K), LG- Ni1000	1101-7021-0041-000	33,02 €
TF65 Ni1000TK 250MM	Ni1000 TK5000 (TCR = 5000 ppm / K), LG- Ni1000	1101-7021-0051-000	33,94 €
TF65 Ni1000TK 300MM	Ni1000 TK5000 (TCR = 5000 ppm / K), LG- Ni1000	1101-7021-0061-000	34,85 €
TF65 Ni1000TK 350MM	Ni1000 TK5000 (TCR = 5000 ppm / K), LG- Ni1000	1101-7021-0071-000	36,34 €
TF65 Ni1000TK 400MM	Ni1000 TK5000 (TCR = 5000 ppm / K), LG- Ni1000	1101-7021-0081-000	37,43 €

Continued on next page...

 High-performance encapsulation against
 vibration, mechanical stress and humidity




THERMASGARD® TF 65 – Temperature sensors (Basic device with quick-locking screws), <i>Premium</i>			
Type / WG03 / EL	Sensor / Output	Item No.	Price
TF65 LM235Z xx	LM235Z	IP65	
TF65 LM235Z 50MM	LM235Z (TCR = 10 mV / K; 2.73 V at 0 °C), KP10	1101-7022-1011-000	30,29 €
TF65 LM235Z 100MM	LM235Z (TCR = 10 mV / K; 2.73 V at 0 °C), KP10	1101-7022-1021-000	30,49 €
TF65 LM235Z 150MM	LM235Z (TCR = 10 mV / K; 2.73 V at 0 °C), KP10	1101-7022-1031-000	31,20 €
TF65 LM235Z 200MM	LM235Z (TCR = 10 mV / K; 2.73 V at 0 °C), KP10	1101-7022-1041-000	32,32 €
TF65LM235Z 250MM	LM235Z (TCR = 10 mV / K; 2.73 V at 0 °C), KP10	1101-7022-1051-000	33,02 €
TF65 LM235Z 300MM	LM235Z (TCR = 10 mV / K; 2.73 V at 0 °C), KP10	1101-7022-1061-000	34,04 €
TF65 LM235Z 350MM	LM235Z (TCR = 10 mV / K; 2.73 V at 0 °C), KP10	1101-7022-1071-000	41,56 €
TF65 LM235Z 400MM	LM235Z (TCR = 10 mV / K; 2.73 V at 0 °C), KP10	1101-7022-1081-000	36,41 €
TF65 NTC 1.8K xx	NTC 1.8K	IP65	
TF65 NTC1,8K 50MM	NTC 1.8K	1101-7021-2011-000	32,00 €
TF65 NTC1,8K 100MM	NTC 1.8K	1101-7021-2021-000	32,54 €
TF65 NTC1,8K 150MM	NTC 1.8K	1101-7021-2031-000	32,97 €
TF65 NTC1,8K 200MM	NTC 1.8K	1101-7021-2041-000	34,21 €
TF65 NTC1,8K 250MM	NTC 1.8K	1101-7021-2051-000	34,96 €
TF65 NTC1,8K 300MM	NTC 1.8K	1101-7021-2061-000	35,54 €
TF65 NTC1,8K 350MM	NTC 1.8K	1101-7021-2071-000	37,15 €
TF65 NTC1,8K 400MM	NTC 1.8K	1101-7021-2081-000	38,55 €
TF65 NTC10K xx	NTC 10K	IP65	
TF65 NTC10K 50MM	NTC 10K	1101-7021-5011-000	32,00 €
TF65 NTC10K 100MM	NTC 10K	1101-7021-5021-000	32,54 €
TF65 NTC10K 150MM	NTC 10K	1101-7021-5031-000	32,97 €
TF65 NTC10K 200MM	NTC 10K	1101-7021-5041-000	34,21 €
TF65 NTC10K 250MM	NTC 10K	1101-7021-5051-000	34,96 €
TF65 NTC10K 300MM	NTC 10K	1101-7021-5061-000	35,54 €
TF65 NTC10K 350MM	NTC 10K	1101-7021-5071-000	37,15 €
TF65 NTC10K 400MM	NTC 10K	1101-7021-5081-000	38,55 €
TF65 NTC20K xx	NTC 20K	IP65	
TF65 NTC20K 50MM	NTC 20K	1101-7021-6011-000	32,00 €
TF65 NTC20K 100MM	NTC 20K	1101-7021-6021-000	32,54 €
TF65 NTC20K 150MM	NTC 20K	1101-7021-6031-000	32,97 €
TF65 NTC20K 200MM	NTC 20K	1101-7021-6041-000	34,21 €
TF65 NTC20K 250MM	NTC 20K	1101-7021-6051-000	34,96 €
TF65 NTC20K 300MM	NTC 20K	1101-7021-6061-000	35,54 €
TF65 NTC20K 350MM	NTC 20K	1101-7021-6071-000	37,15 €
TF65 NTC20K 400MM	NTC 20K	1101-7021-6081-000	38,55 €
Note:	Other sensors optional	on request	



THERMASGARD® TF 43 – Temperature sensors (Basic device with snap-on lid), *Standard*

Type / WG03 / EL	Sensor / Output	Item No.	Price
TF43 PT100 xx	Pt100	IP43	
TF43 PT100 50MM	Pt100 (according to DIN EN 60 751, class B)	1101-7010-1013-000	23,84 €
TF43 PT100 100MM	Pt100 (according to DIN EN 60 751, class B)	1101-7010-1023-000	23,95 €
TF43 PT100 150MM	Pt100 (according to DIN EN 60 751, class B)	1101-7010-1033-000	24,70 €
TF43 PT100 200MM	Pt100 (according to DIN EN 60 751, class B)	1101-7010-1043-000	25,40 €
TF43 PT100 250MM	Pt100 (according to DIN EN 60 751, class B)	1101-7010-1053-000	26,69 €
TF43 PT100 300MM	Pt100 (according to DIN EN 60 751, class B)	1101-7010-1063-000	28,89 €
TF43 PT100 350MM	Pt100 (according to DIN EN 60 751, class B)	1101-7010-1073-000	29,78 €
TF43 PT100 400MM	Pt100 (according to DIN EN 60 751, class B)	1101-7010-1083-000	30,72 €
TF43 PT1000 xx	Pt1000	IP43	
TF43 PT1000 50MM	Pt1000 (according to DIN EN 60 751, class B)	1101-7010-5011-000	23,84 €
TF43 PT1000 100MM	Pt1000 (according to DIN EN 60 751, class B)	1101-7010-5021-000	23,95 €
TF43 PT1000 150MM	Pt1000 (according to DIN EN 60 751, class B)	1101-7010-5031-000	24,70 €
TF43 PT1000 200MM	Pt1000 (according to DIN EN 60 751, class B)	1101-7010-5041-000	25,40 €
TF43 PT1000 250MM	Pt1000 (according to DIN EN 60 751, class B)	1101-7010-5051-000	26,69 €
TF43 PT1000 300MM	Pt1000 (according to DIN EN 60 751, class B)	1101-7010-5061-000	28,89 €
TF43 PT1000 350MM	Pt1000 (according to DIN EN 60 751, class B)	1101-7010-5071-000	29,78 €
TF43 PT1000 400MM	Pt1000 (according to DIN EN 60 751, class B)	1101-7010-5081-000	30,72 €
TF43 Ni1000 xx	Ni1000	IP43	
TF43 Ni1000 50MM	Ni1000 (according to DIN EN 43 760, class B, TCR = 6180 ppm / K)	1101-7010-9011-000	24,44 €
TF43 Ni1000 100MM	Ni1000 (according to DIN EN 43 760, class B, TCR = 6180 ppm / K)	1101-7010-9021-000	26,74 €
TF43 Ni1000 150MM	Ni1000 (according to DIN EN 43 760, class B, TCR = 6180 ppm / K)	1101-7010-9031-000	26,95 €
TF43 Ni1000 200MM	Ni1000 (according to DIN EN 43 760, class B, TCR = 6180 ppm / K)	1101-7010-9041-000	27,54 €
TF43 Ni1000 250MM	Ni1000 (according to DIN EN 43 760, class B, TCR = 6180 ppm / K)	1101-7010-9051-000	28,30 €
TF43 Ni1000 300MM	Ni1000 (according to DIN EN 43 760, class B, TCR = 6180 ppm / K)	1101-7010-9061-000	30,18 €
TF43 Ni1000 350MM	Ni1000 (according to DIN EN 43 760, class B, TCR = 6180 ppm / K)	1101-7010-9071-000	31,02 €
TF43 Ni1000 400MM	Ni1000 (according to DIN EN 43 760, class B, TCR = 6180 ppm / K)	1101-7010-9081-000	32,43 €
TF43 Ni1000TK xx	Ni1000 TK5000	IP43	
TF43 Ni1000TK 50MM	Ni1000 TK5000 (TCR = 5000 ppm / K), LG - Ni1000	1101-7011-0011-000	24,48 €
TF43 Ni1000TK 100MM	Ni1000 TK5000 (TCR = 5000 ppm / K), LG - Ni1000	1101-7011-0021-000	26,80 €
TF43 Ni1000TK 150MM	Ni1000 TK5000 (TCR = 5000 ppm / K), LG - Ni1000	1101-7011-0031-000	27,07 €
TF43 Ni1000TK 200MM	Ni1000 TK5000 (TCR = 5000 ppm / K), LG - Ni1000	1101-7011-0041-000	27,65 €
TF43 Ni1000TK 250MM	Ni1000 TK5000 (TCR = 5000 ppm / K), LG - Ni1000	1101-7011-0051-000	28,40 €
TF43 Ni1000TK 300MM	Ni1000 TK5000 (TCR = 5000 ppm / K), LG - Ni1000	1101-7011-0061-000	30,29 €
TF43 Ni1000TK 350MM	Ni1000 TK5000 (TCR = 5000 ppm / K), LG - Ni1000	1101-7011-0071-000	31,24 €
TF43 Ni1000TK 400MM	Ni1000 TK5000 (TCR = 5000 ppm / K), LG - Ni1000	1101-7011-0081-000	32,54 €

Continued on next page...

High-performance encapsulation against
vibration, mechanical stress and humidity



**THERMASGARD® TF 43** – Temperature sensors (Basic device with snap-on lid), *Standard*

Type / WG03 / EL	Sensor / Output	Item No.	Price
TF43 LM235Z xx	LM235Z	IP43	
TF43 LM235Z 50MM	LM235Z (TCR = 10 mV / K; 2.73 V at 0 °C), KP10	1101-7012-1011-000	24,92 €
TF43 LM235Z 100MM	LM235Z (TCR = 10 mV / K; 2.73 V at 0 °C), KP10	1101-7012-1021-000	25,18 €
TF43 LM235Z 150MM	LM235Z (TCR = 10 mV / K; 2.73 V at 0 °C), KP10	1101-7012-1031-000	26,10 €
TF43 LM235Z 200MM	LM235Z (TCR = 10 mV / K; 2.73 V at 0 °C), KP10	1101-7012-1041-000	26,69 €
TF43 LM235Z 250MM	LM235Z (TCR = 10 mV / K; 2.73 V at 0 °C), KP10	1101-7012-1051-000	27,00 €
TF43 LM235Z 300MM	LM235Z (TCR = 10 mV / K; 2.73 V at 0 °C), KP10	1101-7012-1061-000	29,32 €
TF43 LM235Z 350MM	LM235Z (TCR = 10 mV / K; 2.73 V at 0 °C), KP10	1101-7012-1071-000	29,67 €
TF43 LM235Z 400MM	LM235Z (TCR = 10 mV / K; 2.73 V at 0 °C), KP10	1101-7012-1081-000	31,52 €
TF43 NTC 1.8K xx	NTC 1.8K	IP43	
TF43 NTC1,8K 50MM	NTC 1.8K	1101-7011-2011-000	23,84 €
TF43 NTC1,8K 100MM	NTC 1.8K	1101-7011-2021-000	25,13 €
TF43 NTC1,8K 150MM	NTC 1.8K	1101-7011-2031-000	25,77 €
TF43 NTC1,8K 200MM	NTC 1.8K	1101-7011-2041-000	26,37 €
TF43 NTC1,8K 250MM	NTC 1.8K	1101-7011-2051-000	27,65 €
TF43 NTC1,8K 300MM	NTC 1.8K	1101-7011-2061-000	28,56 €
TF43 NTC1,8K 350MM	NTC 1.8K	1101-7011-2071-000	29,52 €
TF43 NTC1,8K 400MM	NTC 1.8K	1101-7011-2081-000	30,29 €
TF43 NTC10K xx	NTC 10K	IP43	
TF43 NTC10K 50MM	NTC 10K	1101-7011-5011-000	23,84 €
TF43 NTC10K 100MM	NTC 10K	1101-7011-5021-000	25,13 €
TF43 NTC10K 150MM	NTC 10K	1101-7011-5031-000	25,77 €
TF43 NTC10K 200MM	NTC 10K	1101-7011-5041-000	26,37 €
TF43 NTC10K 250MM	NTC 10K	1101-7011-5051-000	27,65 €
TF43 NTC10K 300MM	NTC 10K	1101-7011-5061-000	28,56 €
TF43 NTC10K 350MM	NTC 10K	1101-7011-5071-000	29,52 €
TF43 NTC10K 400MM	NTC 10K	1101-7011-5081-000	30,29 €
TF43 NTC20K xx	NTC 20K	IP43	
TF43 NTC20K 50MM	NTC 20K	1101-7011-6011-000	23,84 €
TF43 NTC20K 100MM	NTC 20K	1101-7011-6021-000	25,13 €
TF43 NTC20K 150MM	NTC 20K	1101-7011-6031-000	25,77 €
TF43 NTC20K 200MM	NTC 20K	1101-7011-6041-000	26,37 €
TF43 NTC20K 250MM	NTC 20K	1101-7011-6051-000	27,65 €
TF43 NTC20K 300MM	NTC 20K	1101-7011-6061-000	28,56 €
TF43 NTC20K 350MM	NTC 20K	1101-7011-6071-000	29,52 €
TF43 NTC20K 400MM	NTC 20K	1101-7011-6081-000	30,29 €
Note	Other sensors optional	on request	

TF43
with snap-on lid
(IP43)

Immersion / screw-in / duct temperature sensor
 with passive output

One basic device in four variants...



PATENTED

**TFxx +
 TH08-ms/xx**

Immersion / screw-in
 temperature sensor with
 brass immersion sleeve,
 nickel-plated

**TFxx +
 TH08-VA/xx**

Immersion / screw-in
 temperature sensor
 with stainless steel
 immersion sleeve

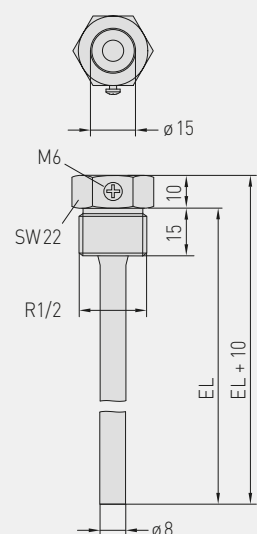
**TFxx +
 TH08-VA/xx/90**

Immersion / screw-in
 temperature sensor with
 stainless steel immersion
 sleeve with neck tube

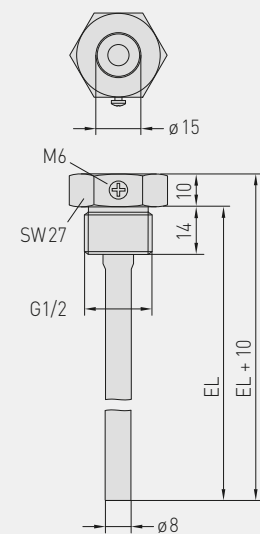
**TFxx +
 MF-15-K**

Duct temperature sensor
 with plastic mounting flange

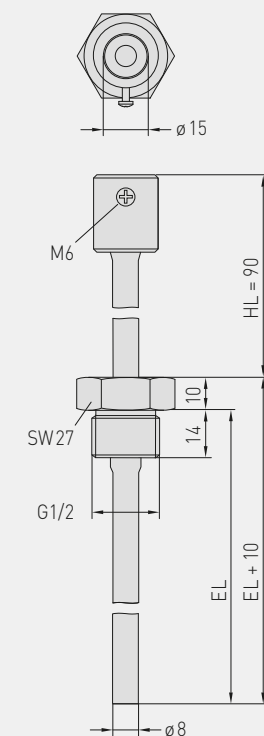
Dimensional drawing
TH08-ms/xx



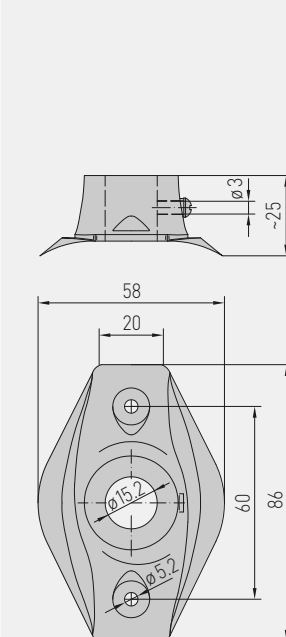
Dimensional drawing
TH08-VA/xx



Dimensional drawing
TH08-VA/xx/90



Dimensional drawing
MF-15-K





...through combination with accessories:



TH08-ms/xx
Brass immersion sleeve,
thread-sealing, conical,
according to DIN 10226



TH08-VA/xx
Stainless steel immersion sleeve,
flat-sealing, cylindrical,
according to DIN 228



TH08-VA/xx/90
Stainless steel immersion sleeve
with neck tube, flat-sealing, cylindrical,
according to DIN 228



MF-15-K
Mounting flange,
plastic

THERMASGARD® TH08 – Immersion sleeve Ø 8 mm (Accessories)					
Type / WG01	p _{max} (static)	T _{max}	Inserted Length	Item No.	Price
TH08-ms/xx		Brass nickel-plated		without neck tube	
TH08-MS 50MM	10 bar	+150 °C	50 mm	7100-0011-0010-132	7,85 €
TH08-MS 100MM	10 bar	+150 °C	100 mm	7100-0011-0020-132	8,16 €
TH08-MS 150MM	10 bar	+150 °C	150 mm	7100-0011-0030-132	9,02 €
TH08-MS 200MM	10 bar	+150 °C	200 mm	7100-0011-0040-132	9,51 €
TH08-MS 250MM	10 bar	+150 °C	250 mm	7100-0011-0050-132	9,83 €
TH08-MS 300MM	10 bar	+150 °C	300 mm	7100-0011-0060-132	11,29 €
TH08-MS 350MM	10 bar	+150 °C	350 mm	7100-0011-0070-132	13,32 €
TH08-MS 400MM	10 bar	+150 °C	400 mm	7100-0011-0080-132	11,71 €
TH08-VA/xx		Stainless steel VA 1.4571		without neck tube	
TH08-VA 50MM	40 bar	+600 °C	50 mm	7100-0012-0010-132	14,99 €
TH08-VA 100MM	40 bar	+600 °C	100 mm	7100-0012-0020-132	15,78 €
TH08-VA 150MM	40 bar	+600 °C	150 mm	7100-0012-0030-132	16,59 €
TH08-VA 200MM	40 bar	+600 °C	200 mm	7100-0012-0040-132	17,72 €
TH08-VA 250MM	40 bar	+600 °C	250 mm	7100-0012-0050-132	18,63 €
TH08-VA 300MM	40 bar	+600 °C	300 mm	7100-0012-0060-132	23,20 €
TH08-VA 350MM	40 bar	+600 °C	350 mm	7100-0012-0070-132	23,63 €
TH08-VA 400MM	40 bar	+600 °C	400 mm	7100-0012-0080-132	24,11 €
TH08-VA/xx/90		Stainless steel VA 1.4571		with neck tube (90 mm)	
TH08-VA 50/90MM	40 bar	+600 °C	50 mm	7100-0012-0012-132	22,56 €
TH08-VA 100/90MM	40 bar	+600 °C	100 mm	7100-0012-0022-132	23,63 €
TH08-VA 150/90MM	40 bar	+600 °C	150 mm	7100-0012-0032-132	24,85 €
TH08-VA 200/90MM	40 bar	+600 °C	200 mm	7100-0012-0042-132	26,05 €
TH08-VA 250/90MM	40 bar	+600 °C	250 mm	7100-0012-0052-132	27,33 €
TH08-VA 300/90MM	40 bar	+600 °C	300 mm	7100-0012-0062-132	29,85 €
Note: inner diameter of socket 15.0 mm For further information see last chapter!					
Mounting flange (Accessories)					
Type / WG01		T _{max}		Item No.	Price
MF					
MF-15-K	Mounting flange, plastic, 56.8x84.3 mm, Ø 15.2 mm tube gland	+150 °C		7100-0032-0000-000	5,16 €
Note: For further information see last chapter!					